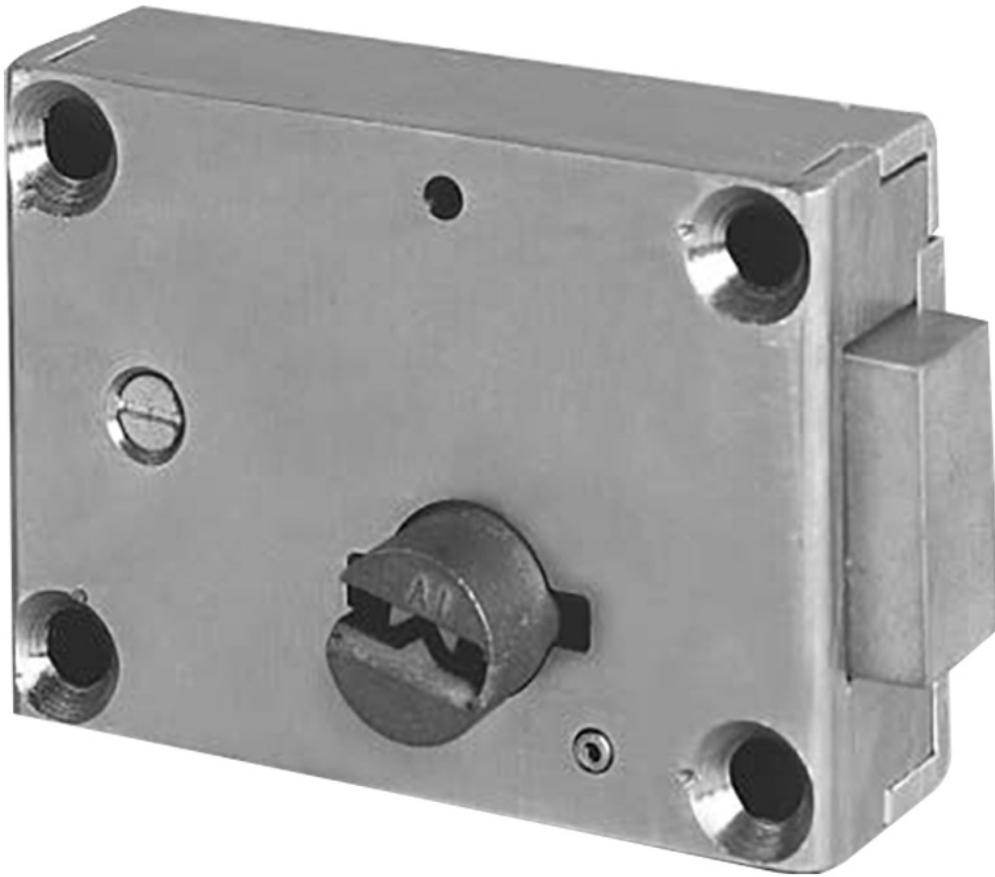


1010A Deadlock



Mechanical Locks

For More information please call 210-533-1231



Mechanical Locks

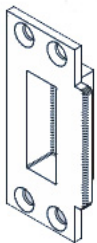
1010A Deadlock



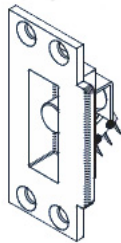
STANDARD FEATURES

- Automatic snaplatch
- Six heavy-duty tumblers
- Mounting fastener

Bolt Keepers/Strikes



470C
(Standard)



(Optional)

APPLICATION

For food passes, observation shutters and other small swinging doors where snaplatching is desired.

FUNCTION

Key activated unlatching. Snaplatches upon closing.

OPTIONAL FEATURES

EXTENDED BOLT - Used for hollow metal door mounting. Specify "1 - 1/4".

HALLOW METAL MOUNTING: Used for gating door application. Specify HM

GRATING DOOR MOUNTING - used for grating door application. Specify "G"

PLATE DOOR MOUNTING - used for steel plate door application. Specify "P"

BOLT KEEPER OPTIONS -
(Must be specified separately):

4C - Bolt keeper with dustbox

4CL - Bolt keeper with switch

Note: Keeper supplied with security fasteners

HOW TO ORDER:

Specify:

1. Quantity
2. Swing chart number (handing)
3. Bolt Projection
4. Application (HM, G, P)
5. Key code instruction
6. Bolt Keeper Requirements

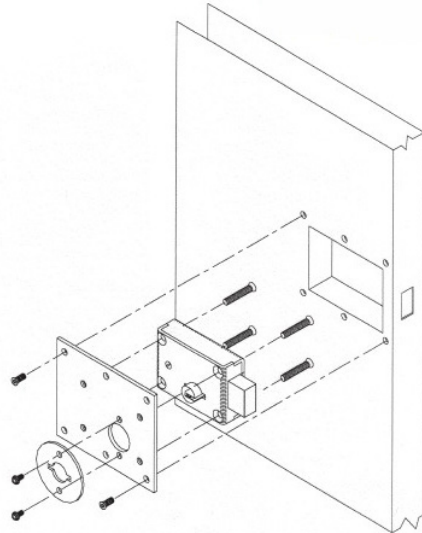
1017A-1: KEYED ONE SIDE



For More information please call 210-533-1231

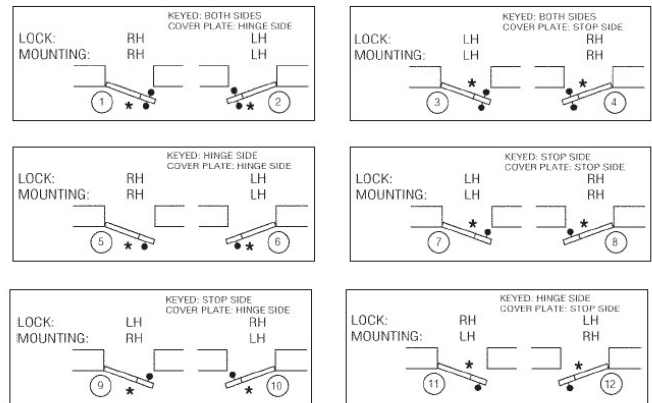
Mechanical Locks

1010A Deadlock



HM Mounting Shown

Swing Chart: Specify circled swing number when ordering.



* Indicates lock mounting/access plate side.

Swing Chart: Specify circled swing number when ordering.

TECHNICAL DATA

Standard Finish	Galvanized
Cover	Steel
Case	Steel
Lockbolt	Steel
Paracentric Cylinder	US26D
Mogul Keys	Nickel Silver
Pin Tumblers and Engaging Balls	Spring tempered brass. Tumblers actuated by phosphor bronze springs, six tumblers per lock
Lock Case Size	4.4" L x 3.15" H x 1.35" TK
Lock Weight	5.5 lbs
Lockbolt Size	1-1/2" H x 3/4" TK
Lockbolt Throw	5/8"

For More information please call 210-533-1231

